

**BASKET LIFTING
CRANES**

ELEV-CLAV & ELEV-CLAV-R

DESIGNED FOR A SAFE AND
EASY MANIPULATION OF
HEAVY LOADS

ACCESSORY



Basket lifting cranes

ELEV-CLAV & ELEV-CLAV-R

APPLICATION

- + **ALLOWS SAFE AND EASY HANDLING OF HEAVY LOADS IN AND OUT OF AUTOCLAVES**



Features

- Easy to use.
- Elevator device with hoist system featuring high lifting power.
- With swiveling support.
- Two models of basket lifting cranes available:
ELEV-CLAV: suitable for CFS-75V and CFS-110V vertical autoclaves.
ELEV-CLAV-R: a reinforced model suitable for CFS-110V and CFS-150V vertical autoclaves.

Operation

- Use the remote control to raise and lower the basket holder hook, depending on whether the upper or lower part of the push-button is pressed. The remote control also includes an emergency stop button.
- Once the basket is filled, attach the hook to the central part of the handle using the supplied basket holder.
- Raise the basket to the required height, then move the swiveling arm, using the swiveling lever, so the basket is positioned directly above the autoclave sterilization chamber.

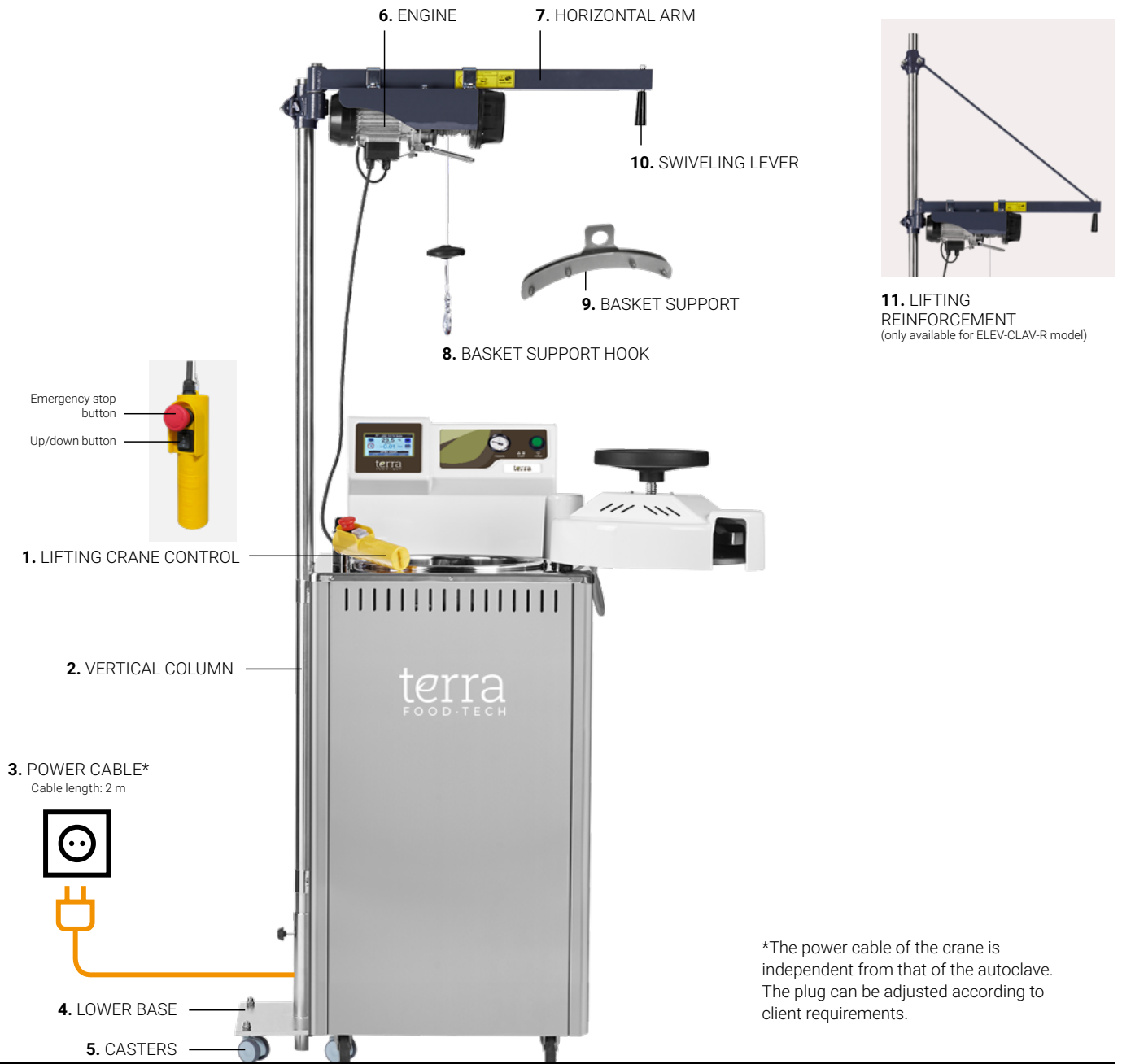
Safety

- Emergency stop button.
- Engine with self-braking system.
- For your safety, the electric installation should have a ground connection.



Read the specific basket lifting crane manual before installing this accessory.

Basket lifting crane description



IMPORTANT:

Each crane is factory set to the specific measurements of the autoclave with which it is installed. Should the installation take place after purchasing the autoclave, please contact our technical support team.

5-steps installation of ELEV-CLAV or ELEV-CLAV-R baskets crane into your autoclave

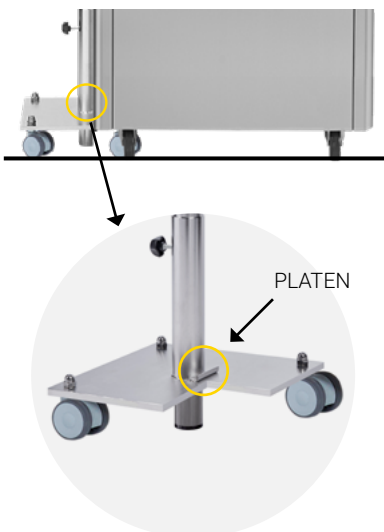
STEP 1

Place your autoclave to the selected working site and be sure to place it on a stable surface.

You should also ensure the autoclave has the necessary boreholes on its left side to install the baskets crane. The height and distribution of these holes is factory set according to the specific purchased autoclave model.

After performing all the previous steps, install the lower support by embedding the platen into the autoclave base, in order to fasten the support into the furniture. The height of the crane lower base is factory set according to the specific purchased autoclave model.

This operation requires lifting the autoclave laterally a little to introduce the platen beneath.



STEP 2

Insert the vertical column and tighten the indicated screw to fasten the column.



STEP 3

Fasten vertical column to autoclave bodywork using the included metal locking plate and screws.



5-steps installation of ELEV-CLAV or ELEV-CLAV-R baskets crane into your autoclave Continued

STEP 4

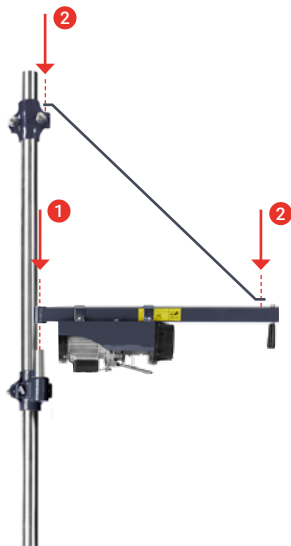
ELEV-CLAV model

Install horizontal arm with the engine.



ELEV-CLAV-R model

First, install horizontal arm with the engine (1).
Then, screw the reinforcement bar (2).



STEP 5

Once mounted, place a basket in the hook and check that the baskets go vertically in and out from inside the autoclave.

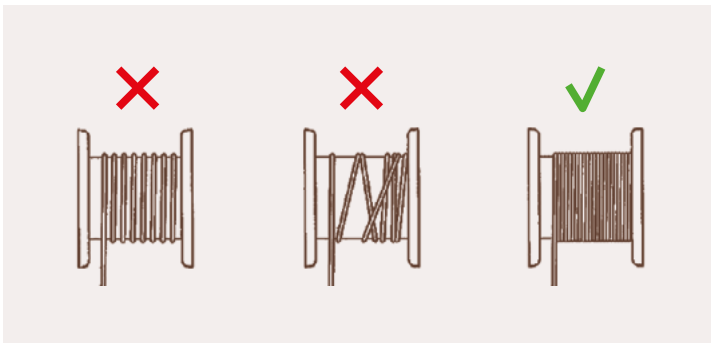


Check the specific manual for the baskets crane before installing this accessory.



Maintenance

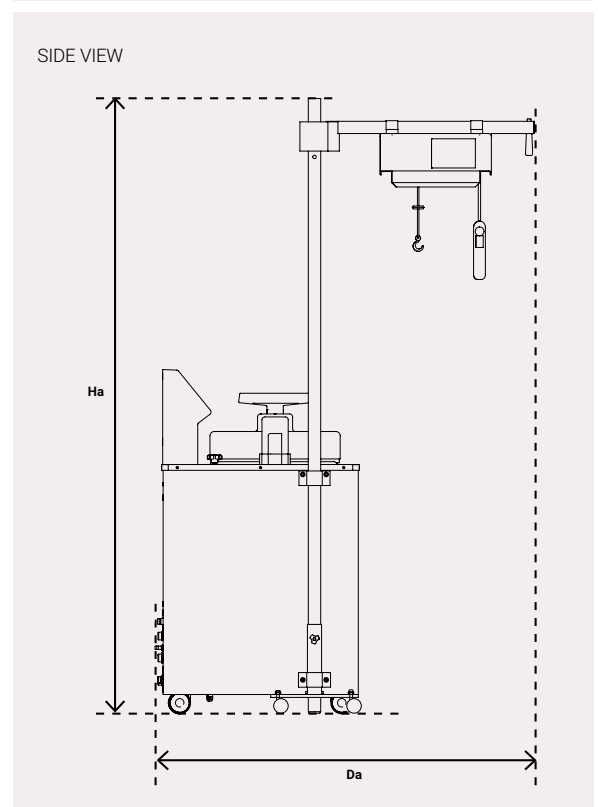
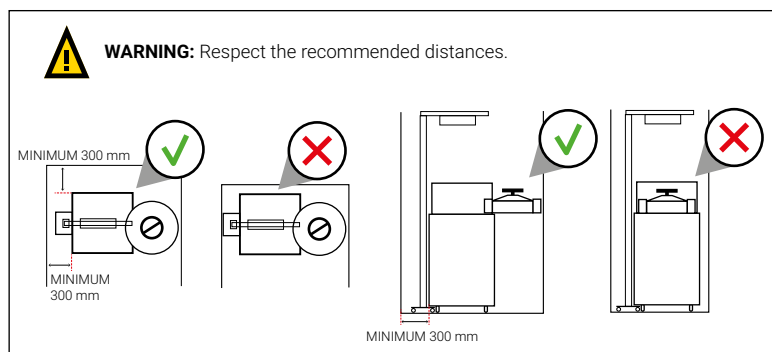
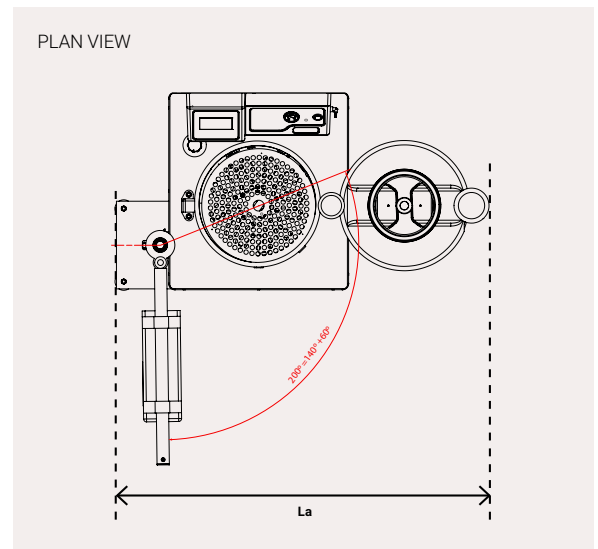
1. Periodically check the steel wire to ensure it is in good condition.
2. Check whether the fastening bolts of brackets and the reducer are tightened properly.
3. Check the condition and tightness of the nuts on the steel wire clamps.
4. Periodically check the proper operation of the engine stop switch.
5. Check pulley to verify wear and tear.
6. Make sure all moving parts are properly lubricated and oiled. **Important suggestion:** do not lubricate the stressed wire.
7. Verify the steel wire is properly rolled up:



Technical specifications to be taken into account when installing basket lifting cranes

In order to securely handle fully-loaded autoclave baskets, we recommend the purchase of our baskets crane with a revolving arm. There are two models available: ELEV-CLAV for heavy loads up to 30 kg, or ELEV-CLAV-R for very heavy loads up to 40 kg.

References	ELEV-CLAV	ELEV-CLAV-R	
Dimensions L x D x H mm	800 x 300 x 2100	800 x 300 x 2600	
Power W	480	480	
Voltage V	230	230	
Frequency Hz	50/60	50/60	
Weight Kg	40	45	
Max. load Kg	30	40	
Compatibility with autoclave models	CFS-75V	✓	-
	CFS-110V	✓	✓
	CFS-150V	-	✓
Dimensions of basket lifting cranes + autoclave assembly mm	CFS-75V	1276 x 1296 x 2100	-
	CFS-110V	1276 x 1296 x 2100	1276 x 1296 x 2600
	CFS-150V	-	1543 x 1536 x 2600



+ info

CLICK! VISIT OUR CHANNEL

Find out more information about our autoclaves on our **Youtube Channel**



TERRA Food-Tech® is a registered trademark of R. Espinar S. L. REV 09.2022